

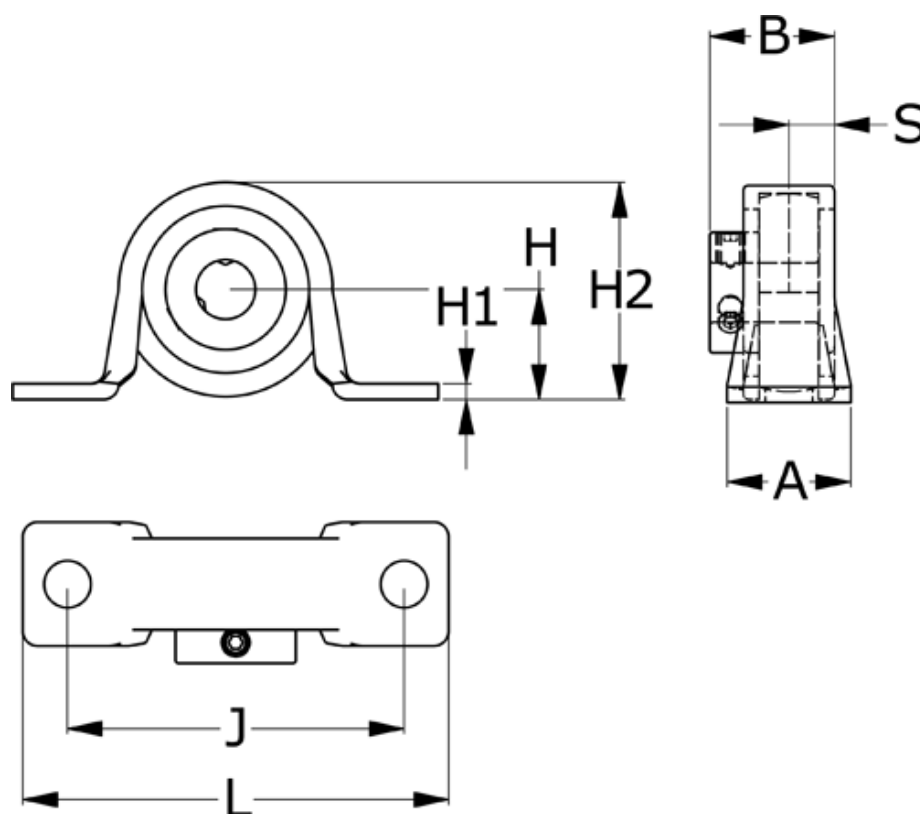
# Data Sheet



Article number: 5725024203

Description: NSK Ball bearing unit ASPP203  
Pressed steel housing

## Measures



A = 25  
B = 22  
H = 22.2  
H1 = 3.2  
H2 = 43.8  
J = 68  
L = 86  
N = 9.5

S = 6  
Shaft  $\bar{\text{ }}$  = 17